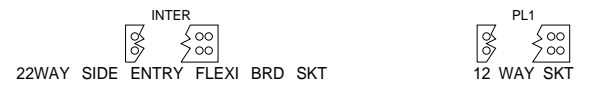
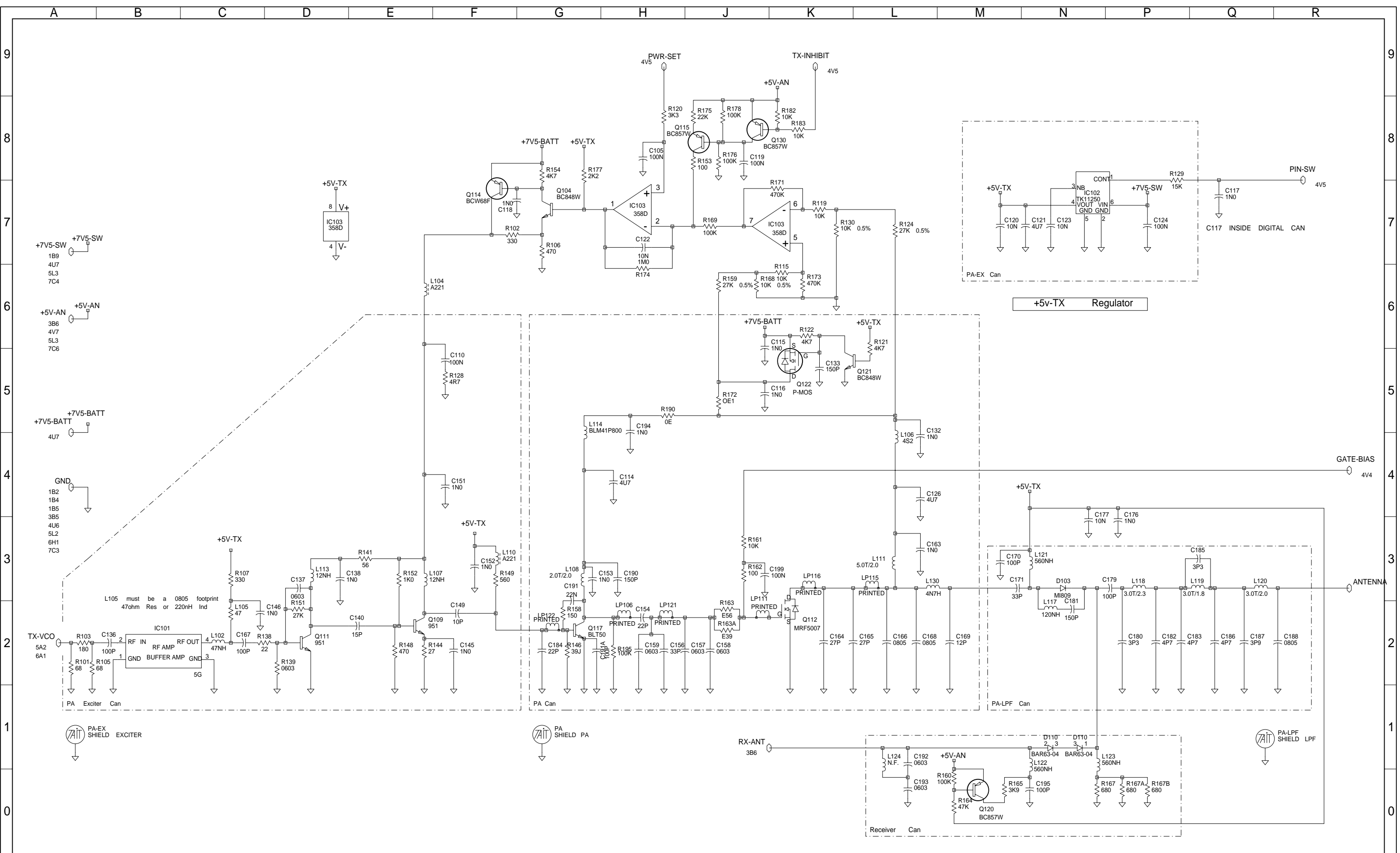


REV/ISS	AMENDMENTS	DRAWN	CHKD	D.O.	APVD	DATE
10C	SPRING PINS SMD, SEALS TO NONSMD	CCN				24-09-99
10B	CHANGED C572 FROM 0603 TO 0805					11-5-99
10A	MUTE MOD/ALC/BIRDY MODS					11-03-99
09A	UPDATES TO COIL PADS					04/02/99
05	MOREUPDATES					
04	UPDATED AND MOVED AERIAL SOCKET					
03 B	UPDATED VALUES ADDED CANS TO PLA					

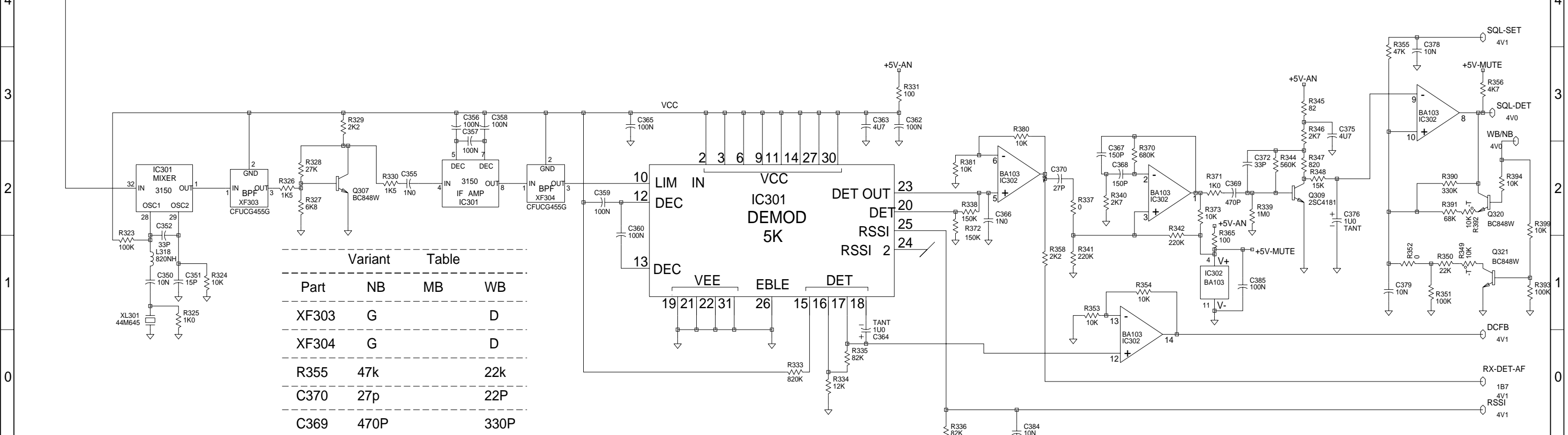
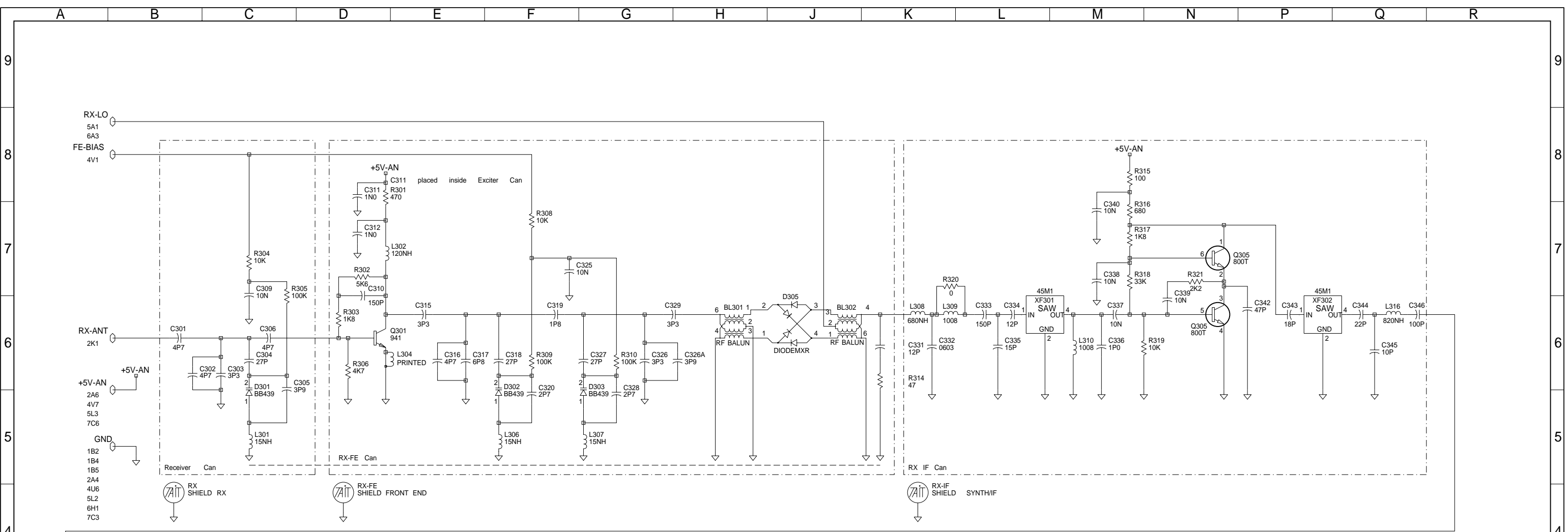


<b>TAIT ELECTRONICS</b>			
ORCA : 400-440MHZ SYSTEM DIAGRAM			
IPN: 220-01392-10	ISSUE: C	ID: 2.S.C. 1	
PROJECT: ORCA	DESIGNER: BRD/TS	FILE NAME: 139210c	FILE DATE: 24-Sep-99
			NO.SHEETS: 7



© TAIT ELECTRONICS  
 ORCA : 400-440MHZ  
 POWER AMPLIFIER  
 IPN: 220-01392-10    ISSUE: C    ID: 2.S.C. 2  
 PROJECT: ORCA    DESIGNER: BRD/TS    FILE NAME: 139210c    FILE DATE: 24-Sep-99    NO.SHEETS: 7

REV/ISS	AMENDMENTS	DRAWN	CHKD	D.O.	APVD	DATE
A						

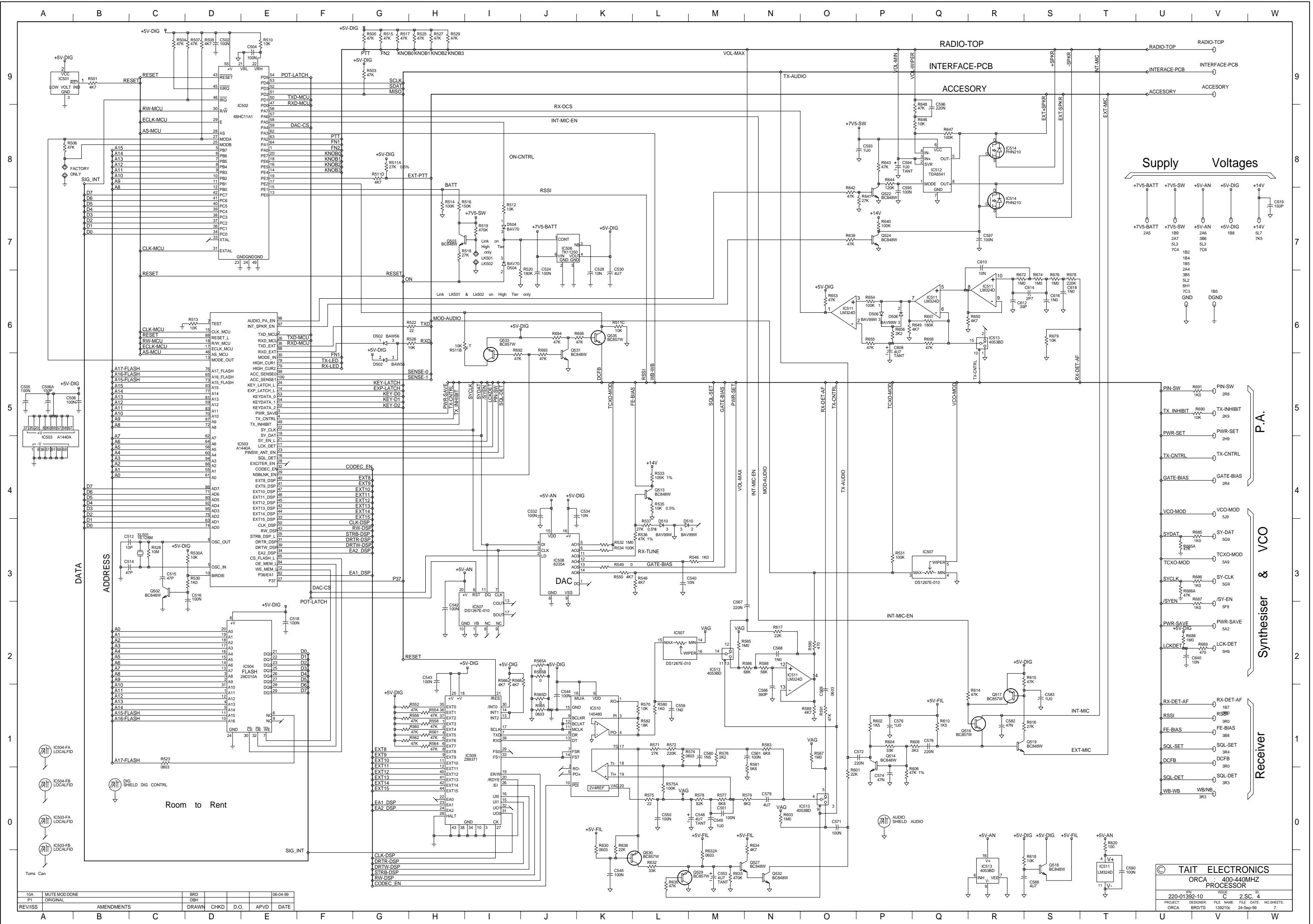


Variant Table

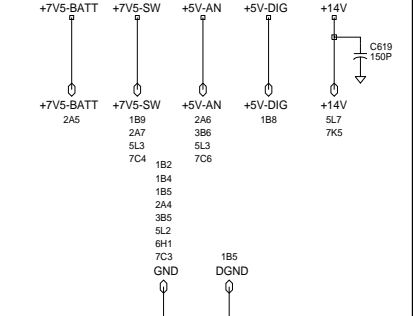
Part	NB	MB	WB
XF303	G		D
XF304	G		D
R355	47k		22k
C370	27p		22P
C369	470P		330P
R390	330k		68k

© TAIT ELECTRONICS  
 ORCA : 400-440MHZ RECEIVER  
 IPN: 220-01392-10 ISSUE: C 2.S.C. 3 ID:  
 PROJECT: ORCA DESIGNER: BRD/TS FILE NAME: 139210c DATE: 24-Sep-99 NO.SHEETS: 7

REV/ISS	AMENDMENTS	DRAWN	CHKD	D.O.	APVD	DATE
A						



**Supply Voltages**



- PIN-SW 288
- TX-INHIBIT 289
- PWR-SET 289
- TX-CNTRL 289
- GATE-BIAS 284
- VCO-MOD 510
- SY-DAT 509
- TCXO-MOD 509
- SY-CLK 509
- SY-EN 509
- PWR-SAVE 509
- LCK-DET 509
- RX-DET-AF 187
- RSSI 380
- FE-BIAS 388
- SOL-SET 384
- SOL-DET 383
- WB-WB 383

**P.A.**

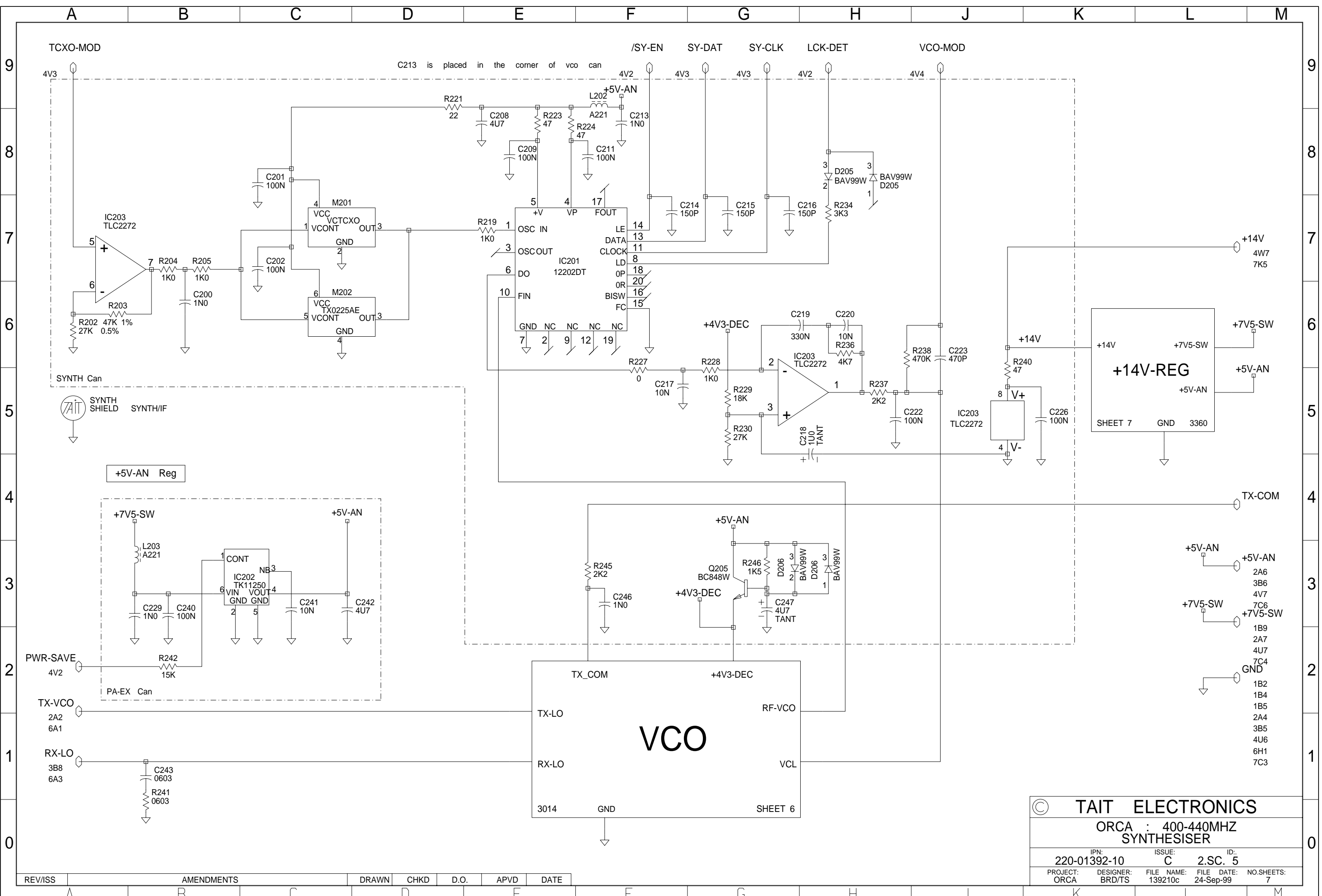
**Synthesiser & VCO**

**Receiver**

Room to Rent

© TAIT ELECTRONICS  
 ORCA : 400-440MHZ  
 PROCESSOR  
 220-01392-10 C 2-SC 4  
 PROJECT: DESIGNER: FILE NAME: FILE DATE: NO SHEETS: 7  
 ORCA BRDTS 139210c 24-Sep-99

10A	MUTE MOD DONE	BRD	06-04-99
P1	ORIGINAL	DBH	
REV/ISS	AMENDMENTS	DRAWN	CHKD
		D.O.	APVD
			DATE



C213 is placed in the corner of vco can

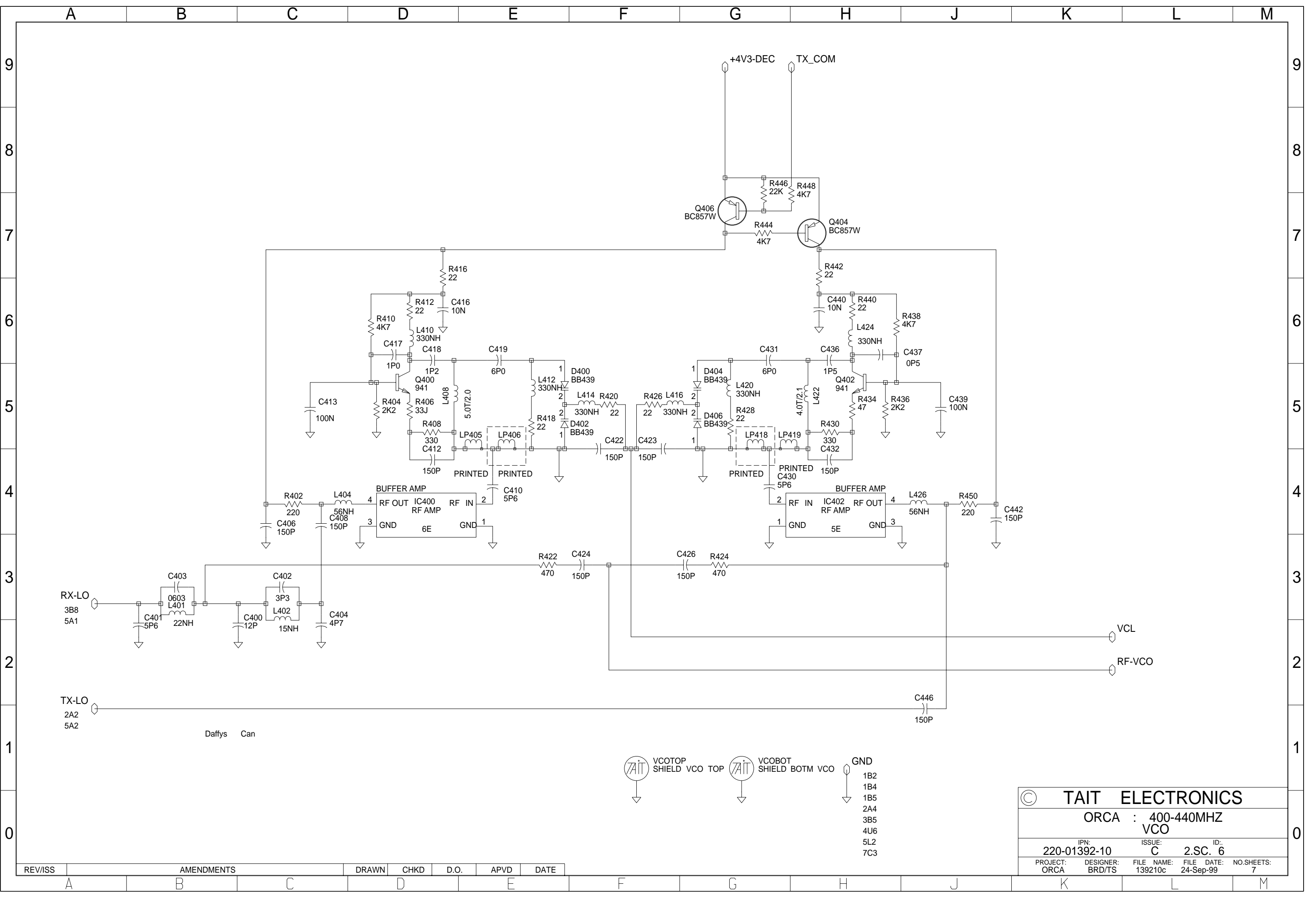
**+14V-REG**  
SHEET 7  
GND 3360

**VCO**  
3014  
GND  
SHEET 6

© TAIT ELECTRONICS				
ORCA : 400-440MHZ SYNTHESISER				
IPN:	ISSUE:	ID:		
220-01392-10	C	2.SC. 5		
PROJECT:	DESIGNER:	FILE NAME:	FILE DATE:	NO.SHEETS:
ORCA	BRD/TS	139210c	24-Sep-99	7

REV/ISS	AMENDMENTS	DRAWN	CHKD	D.O.	APVD	DATE

- +5V-AN 2A6
- +5V-AN 3B6
- +5V-AN 4V7
- +7V5-SW 7C6
- +7V5-SW 1B9
- +7V5-SW 2A7
- +7V5-SW 4U7
- +7V5-SW 7C4
- GND 1B2
- GND 1B4
- GND 1B5
- GND 2A4
- GND 3B5
- GND 4U6
- GND 6H1
- GND 7C3



© TAIT ELECTRONICS

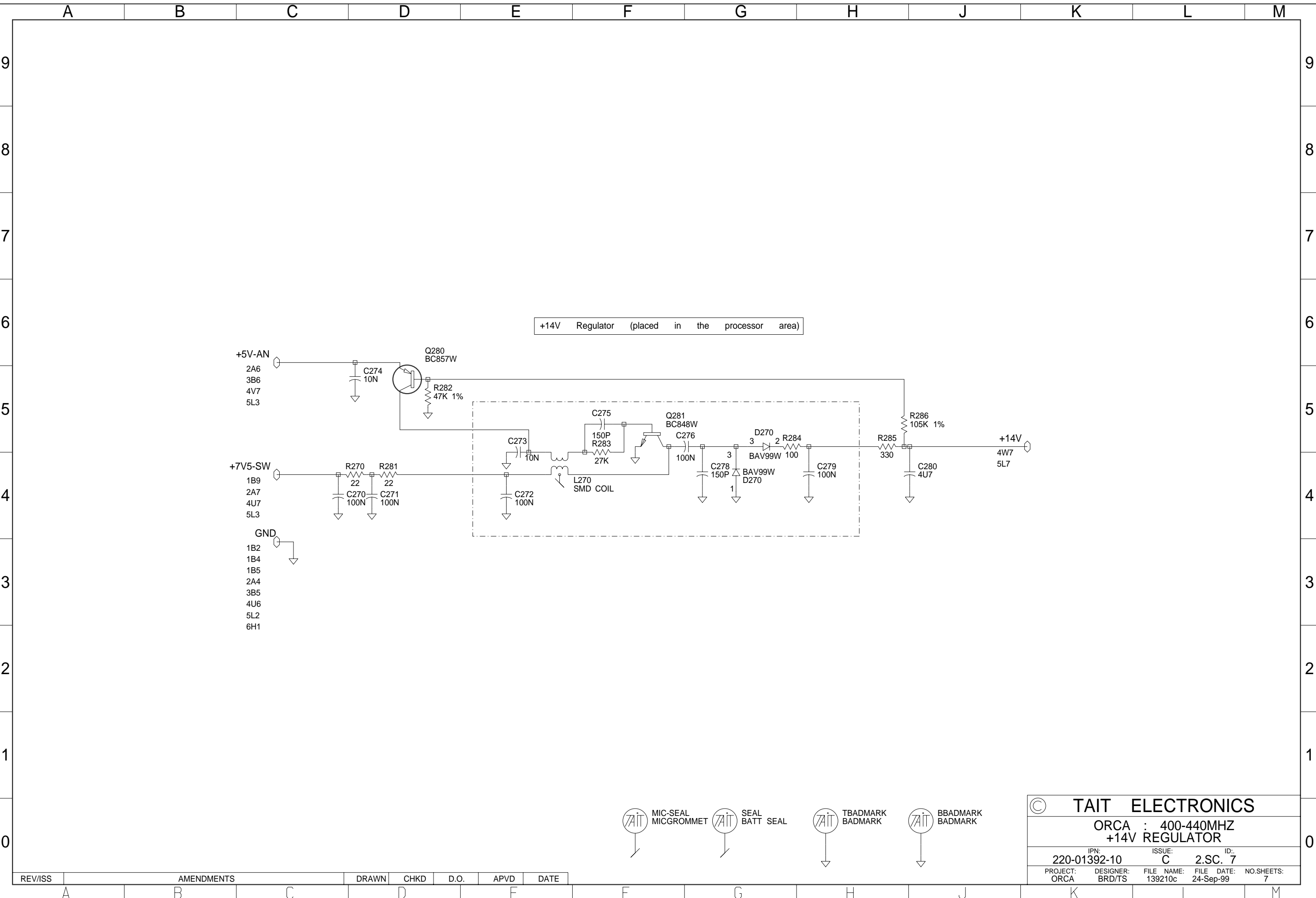
ORCA : 400-440MHZ  
VCO

IPN: 220-01392-10    ISSUE: C    ID: 2.SC. 6

PROJECT: ORCA    DESIGNER: BRD/TS    FILE NAME: 139210c    FILE DATE: 24-Sep-99    NO.SHEETS: 7

REV/ISS	AMENDMENTS	DRAWN	CHKD	D.O.	APVD	DATE

- VCOTOP SHIELD VCO TOP
- VCOBOT SHIELD BOTM VCO
- GND
- 1B2
- 1B4
- 1B5
- 2A4
- 3B5
- 4U6
- 5L2
- 7C3



+14V Regulator (placed in the processor area)

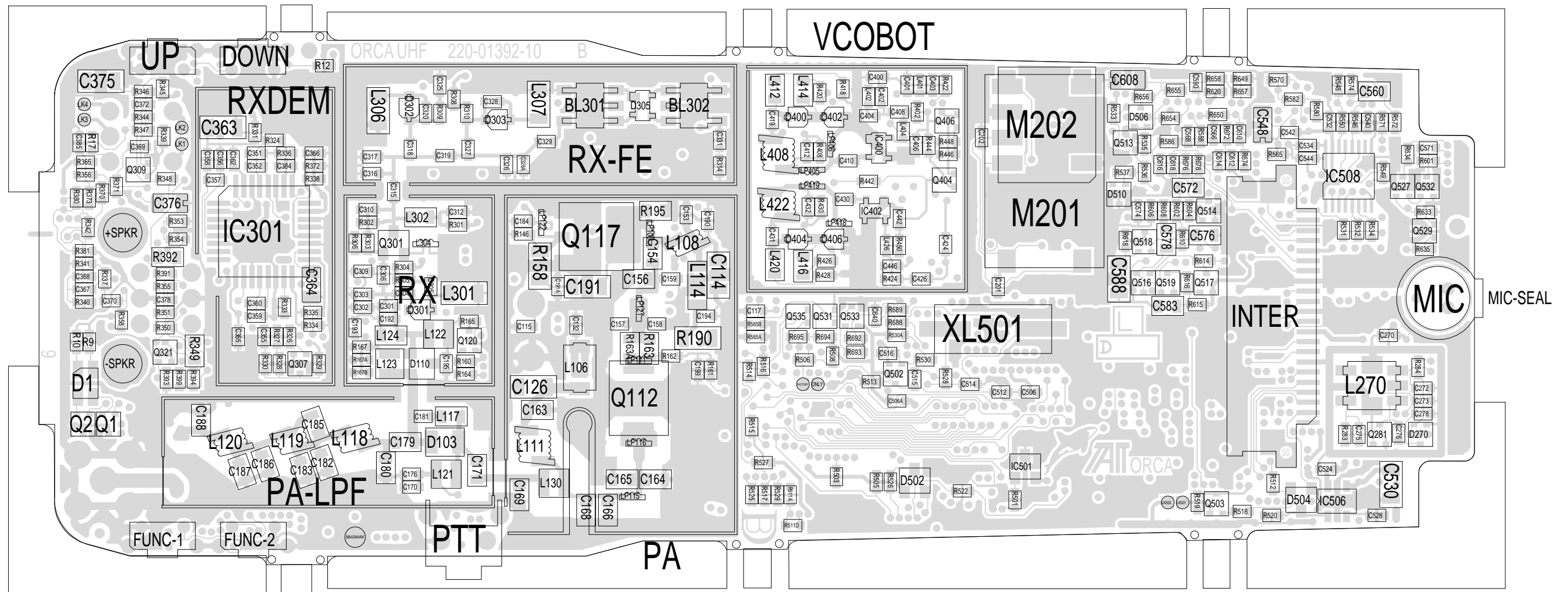
- MIC-SEAL  
MICGROMMET
- SEAL  
BATT SEAL
- TBADMARK  
BADMARK
- BBADMARK  
BADMARK

<b>© TAIT ELECTRONICS</b>				
ORCA : 400-440MHZ +14V REGULATOR				
IPN: 220-01392-10	ISSUE: C	ID: 2.SC. 7		
PROJECT: ORCA	DESIGNER: BRD/TS	FILE NAME: 139210c	FILE DATE: 24-Sep-99	NO.SHEETS: 7

REV/ISS	AMENDMENTS	DRAWN	CHKD	D.O.	APVD	DATE







TAIT ELECTRONICS IPN: 220-01392-10 ISS: -10B ID: 6.BA DATE: 13 May 1999  
 ORCA UHF PCB LAYOUT - BOTTOM SIDE